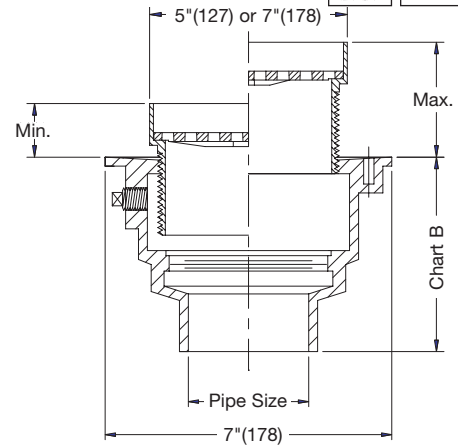


On-Grade Finished Area Floor Drains

FD-200-ER Floor Drain with Extended Rim Strainer



Model Number	Weight (lbs.)	Str. Size	Outlet Size	Strainer	List Price
FD-202, 3, 4-ER5	11	5"	2, 3, 4"	nickel bronze	\$974.50
FD-202, 3, 4-EF7	12	7"	2, 3, 4"	nickel bronze	1,053.00
FD-202, 3, 4, ER9	13	9"	2, 3, 4"	nickel bronze	1,504.00



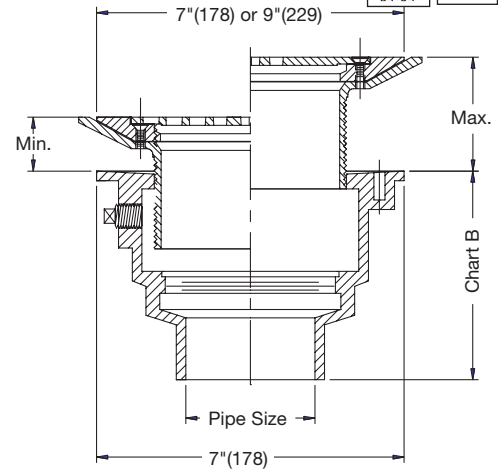
Strainer Dia.	Min.	Max.
5"	1 3/4"	3"
7"	1 3/4"	3"
9"	1 3/4"	3"

Pipe Size	No Hub	Push On	PVC/ABS
2"	4 3/4"	5 1/2"	4"
3"	4 3/4"	5 1/2"	4"
4"	4 3/4"	5 1/2"	4"

FD-200-FC Floor Drain with Surface Membrane Clamp



Model Number	Weight (lbs.)	Str. Size	Outlet Size	Strainer	List Price
FD-202, 3, 4-FC7	15	7"	2, 3, 4"	nickel bronze	\$1,416.00
FD-202, 3, 4-FC9	16	9"	2, 3, 4"	nickel bronze	1,964.00



Strainer Dia.	Min.	Max.
7"	1 1/2"	2 3/4"
9"	1 1/2"	2 3/4"

Pipe Size	No Hub	Push On	PVC/ABS
2"	4 3/4"	5 1/2"	4"
3"	4 3/4"	5 1/2"	4"
4"	4 3/4"	5 1/2"	4"

Note: Funnels are ordered separately. See page 63 for details.

Options for FD-200 Series:

Suffix	Description	List Price	Suffix	Description	List Price
None	No Hub Outlet	No Add	-15	Strainer Extension (DD-50)	\$141.00
P	Push-On Outlet	No Add	-60	PVC Body w/Socket Outlet	No Add
X	Inside Caulk	No Add	-61	ABS Body w/Socket Outlet	No Add
-5	Sediment Bucket	\$108.00	-F4-50	4" Round Cast Iron Funnel	179.00
-6	Vandal Proof	54.50	-F4-1	4" Round Nickel Bronze Funnel	428.00
-7	Trap Primer Tapping	No Add	-F6-1	6" Round Nickel Bronze Funnel	625.50
-8	Ball Float Backwater Valve (2,3,4" Only)	377.50	-G-50	4x9" Oval Cast Iron Funnel	423.00
-13	Galvanized Body	195.50	-G-1	4x9" Oval Nickel Bronze Funnel	872.00